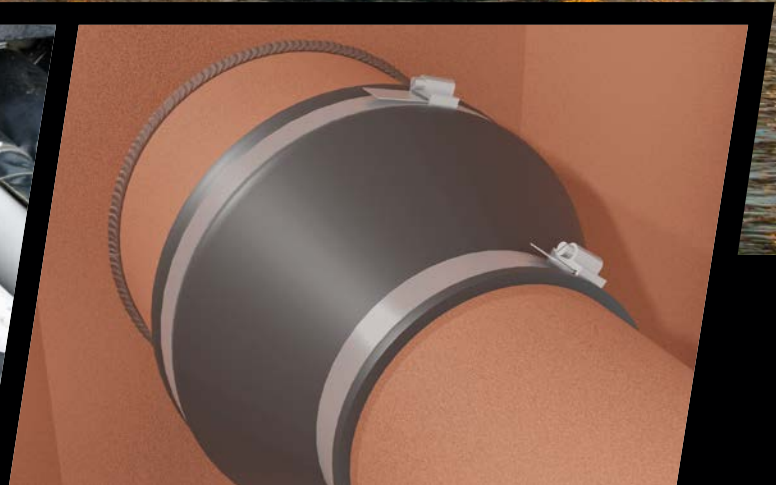


3 in 1 Wrap seal

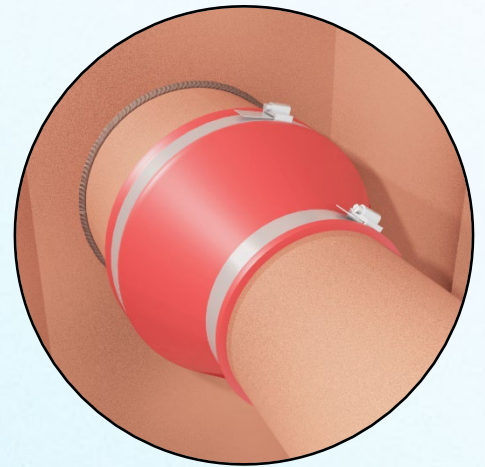
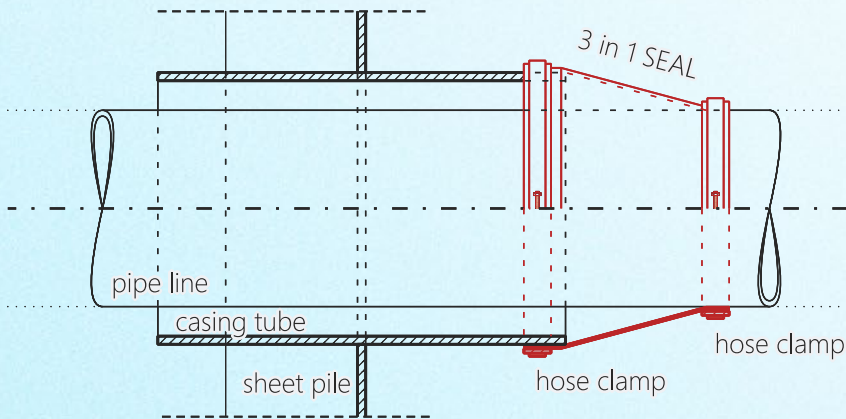


The complete seal for industrial applications and tank terminals.

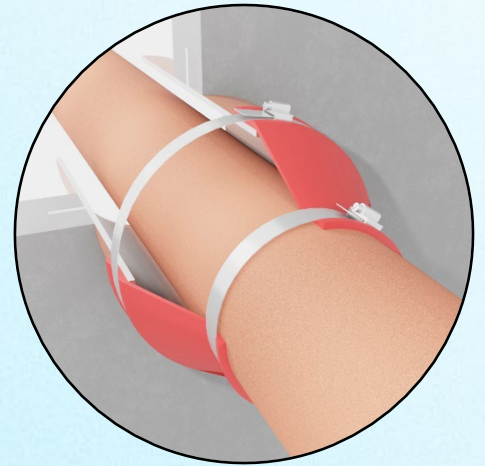
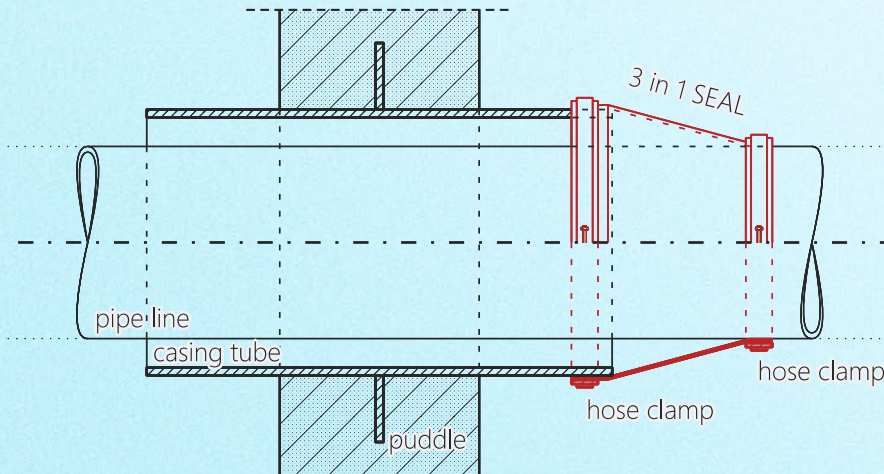


Meets the PGS 29 standard

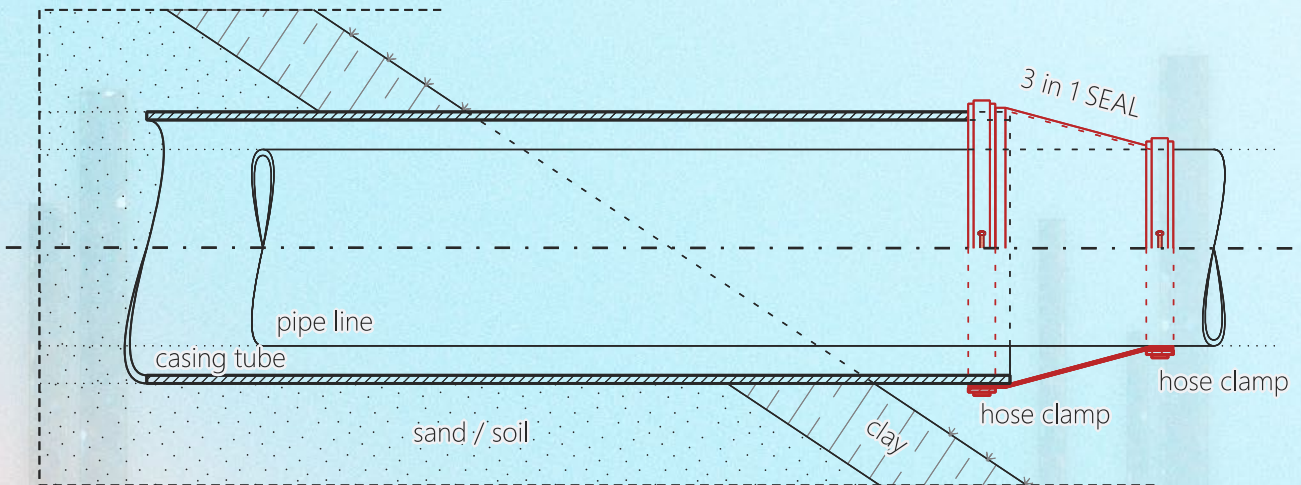
3 in 1 WRAP SEAL



Steel



Concrete



Dike

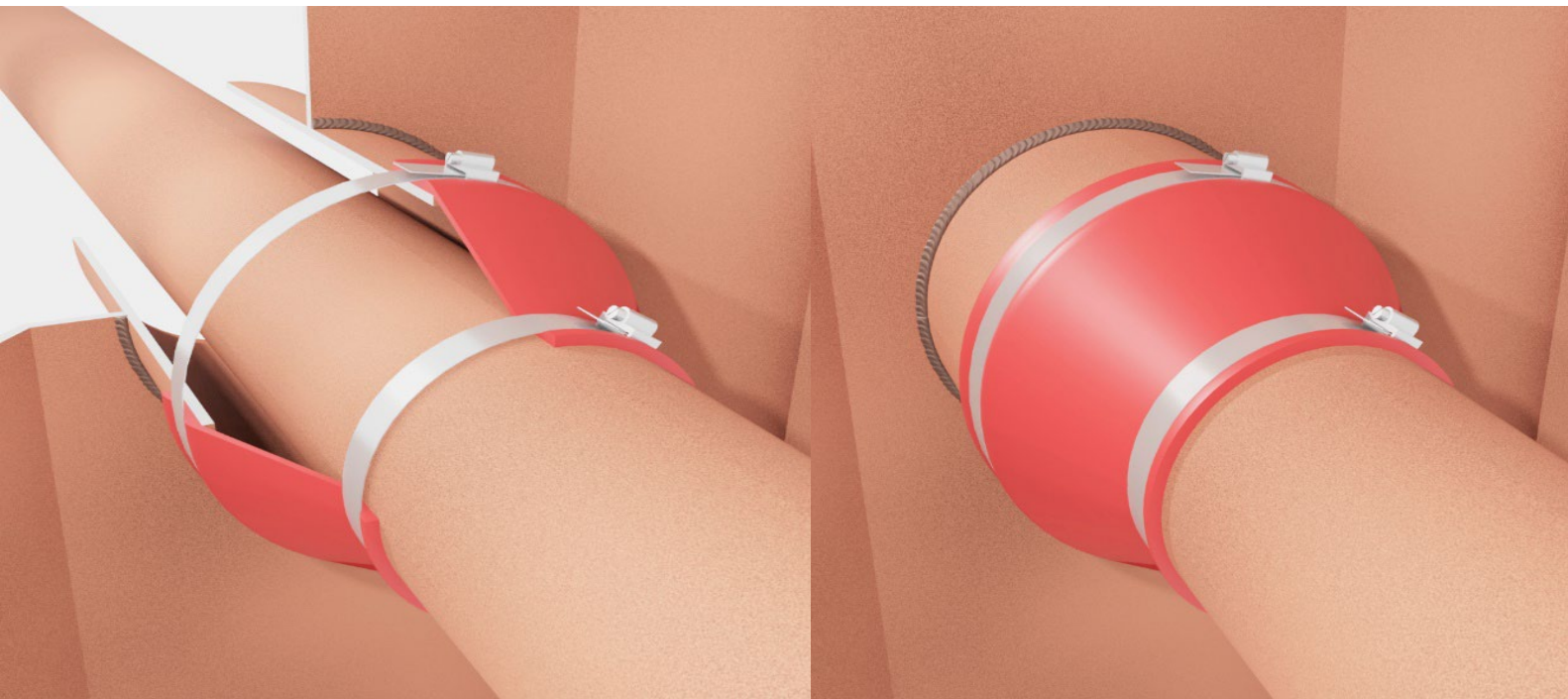
3 in 1 WRAP SEAL

For Industry & Tank Terminals

Just like the 3 in 1 Fire Seal, the Wrap Seal meets all the requirements of the PGS 29 standard for the aboveground storage of flammable liquids. This type of seal is often used in situations where, for example, there is not enough space to place a seal inside the casing pipe.

The 3 in 1 Wrap Seal is applicable for pipe penetrations through:

1. Dike & Bundwall penetrations through earth/clay
2. Penetrations through steel walls
3. Penetrations through concrete walls



*** Figure 3. 3 in 1 Wrap Seals in steel sheet piles*

3 in 1 WRAP SEAL

Properties

- Easy and quick to install
- Applicable for situations where the pipeline lies on the casing pipe
- Applicable for situations where there is already something between casing pipe and transit pipe, for example sealant or just a watertight seal.
- Flexible, absorbs movement
- Watertight
- Chemical resistant
- Long life service & UV resistant
- 120 minutes Hydrocarbon Pool Fire resistant



Figure 4. 3 in 1 Wrap Seals bund wall penetrations

The main logo for IBMO Sealing Systems. It features the letters 'IBMO' in a bold, black, sans-serif font, with the 'M' stylized with three horizontal bars (yellow, blue, yellow). Below the letters is a thick horizontal bar with a blue top half and a yellow bottom half. Underneath the bar, the words 'SEALING SYSTEMS' are written in a bold, black, sans-serif font. A registered trademark symbol (®) is located at the top right of the 'O'.

Lorentzstraat 13
2665 JG Bleiswijk
The Netherlands

Tel: +31 (0) 105227505
sales@ibmo.eu
www.ibmo.eu